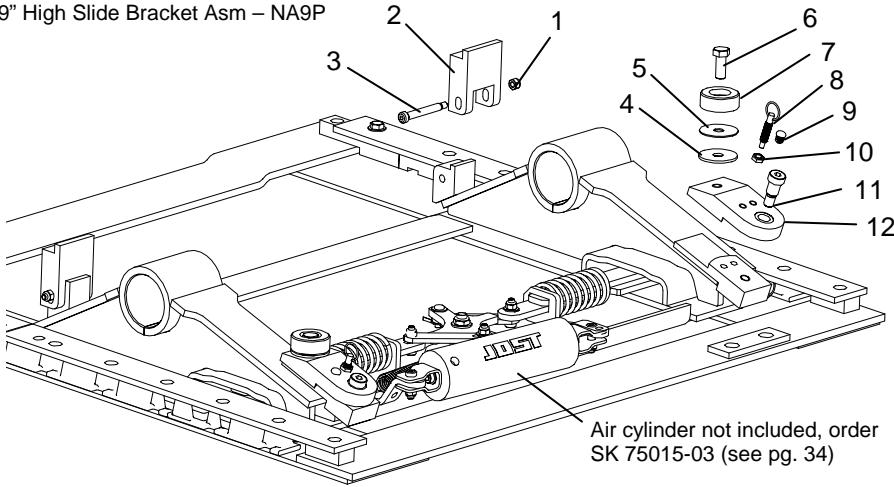


**Outboard Slide Bracket Assemblies**  
 8" High Slide Bracket Asm – NA8P  
 9" High Slide Bracket Asm – NA9P

**OUTBOARD SLIDER PARTS**

(Adds 17 lbs to standard weight)

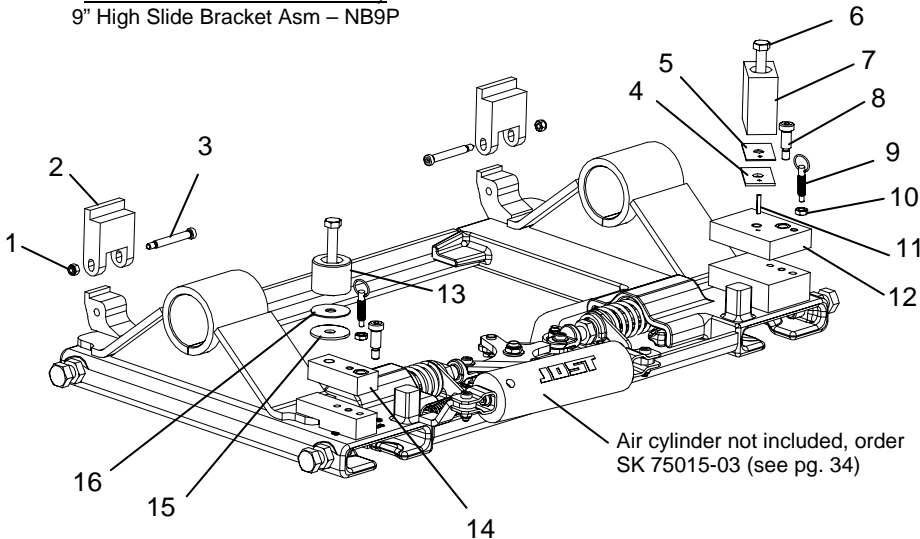


Item	Description	Part No.
1	Lock Nut	SK-70402-01
2	Rear Stop – 8" height	SK-72066-01
2	Rear Stop – 9" height	SK-72066-02
3	2 1/2 Ig. Shoulder Screw	SK-70201-02
4	Thick Shim (round)	SK-72068-12
5	Thin Shim (round)	SK-72068-06
6	1/2-13 Screw – 8" height	SK-70202-08
6	1/2-13 Screw – 9" height	SK-70202-16
7	Front Stop – 8" height	SK-72065-08
7	Front Stop – 9" height	SK-72065-09
8	Spring Plunger	SK-71015-01
9	Plug	SK-71003-01
10	Jam Nut	SK-70403-04
11	3/4 Ig. Shoulder Screw	SK-70201-14
12	Front Tilt Stop Plate	SK-77084-00

**INBOARD SLIDER PARTS**

(Adds 26 lbs to standard weight)

**Inboard Slide Bracket Assembly**  
 9" High Slide Bracket Asm – NB9P



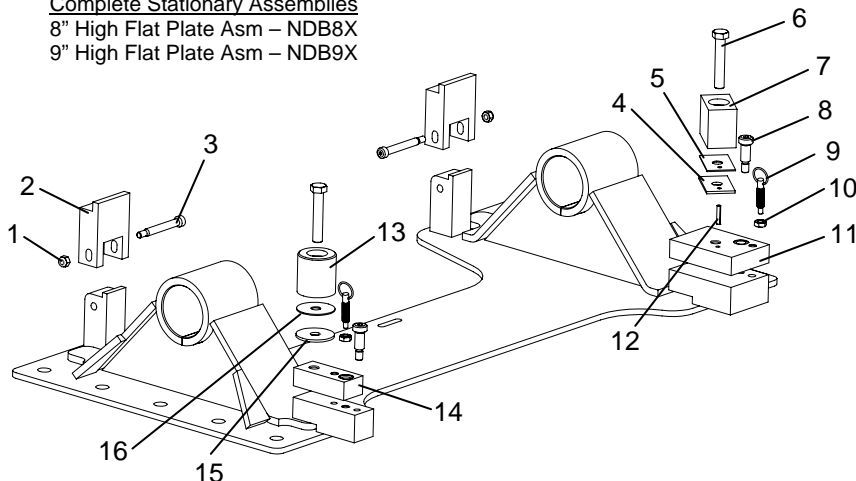
Item	Description	Part No.
1	Lock Nut	SK-70402-01
2	Rear Stop	SK-72066-01
3	2 1/2 Ig. Shoulder Screw	SK-70201-02
4	Thick Shim (rectangle)	SK-72069-12
5	Thin Shim (rectangle)	SK-72069-06
6	1/2-13 Screw	SK-70202-26
7	L.H. Front Stop	SK-72067-29
8	1 Ig. Shoulder Screw	SK-70201-12
9	Spring Plunger	SK-71015-01
10	Jam Nut	SK-70403-04
11	Roll Pin	SK-70104-03
12	L.H. Front Tilt Stop Plate	SK-72064-00
13	R.H. Front Stop	SK-72065-29
14	R.H. Front Tilt Stop Plate	SK-72063-00
15	Thick Shim (round)	SK-72068-12
16	Thin Shim (round)	SK-72068-06

**STATIONARY PARTS**

(Adds 26 lbs to standard weight)

**Complete Stationary Assemblies**

8" High Flat Plate Asm – NDB8X  
 9" High Flat Plate Asm – NDB9X



Item	Description	Part No.
1	Lock Nut	SK-70402-01
2	Rear Stop	SK-72066-01
3	2 1/2 Ig. Shoulder Screw	SK-70201-02
4	Thick Shim (rectangle)	SK-72069-12
5	Thin Shim (rectangle)	SK-72069-06
6	1/2-13 Screw – 8" height	SK-70202-17
6	1/2-13 Screw – 9" height	SK-70202-18
7	LH Front Stop – 8" height	SK-72067-08
7	LH Front Stop – 9" height	SK-72067-09
8	1 Ig. Shoulder Screw	SK-70201-12
9	Plunger Spring	SK-71015-01
10	Jam Nut	SK-70403-04
11	LH Front Tilt Stop Plate	SK-72064-00
12	Roll Pin	SK-70104-03
13	RH Front Stop – 8" height	SK-72065-18
13	RH Front Stop – 9" height	SK-72065-19
14	RH Front Tilt Stop Plate	SK-72063-00
15	Thick Shim (round)	SK-72068-12
16	Thin Shim (round)	SK-72068-06