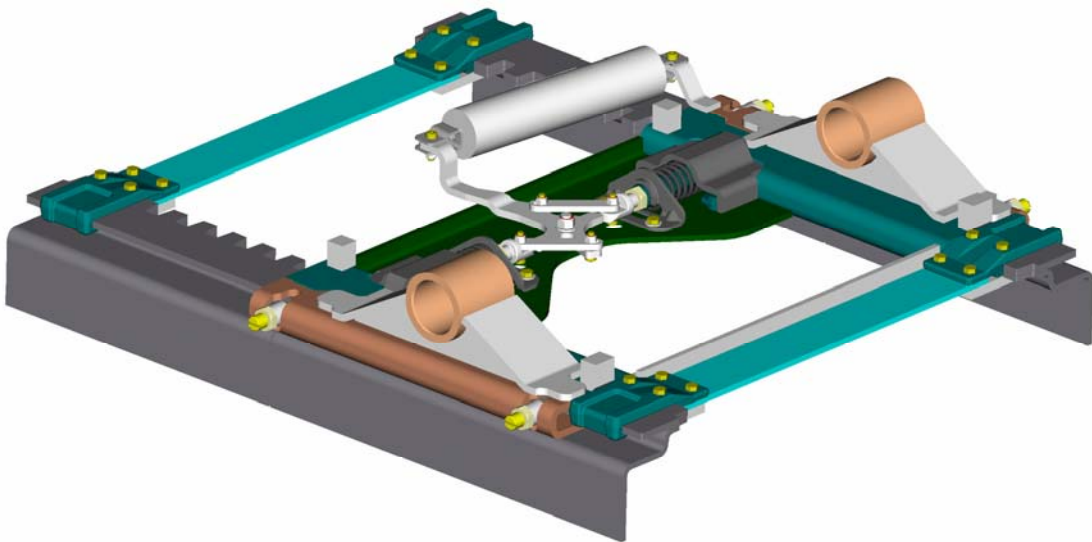


# JOST

## WHY I SHOULD BUY A JOST INBOARD SLIDING FIFTH WHEEL



**1 SAFETY**

**2 WEIGHT/COST SAVINGS \$**

**3 CONVENIENCE**

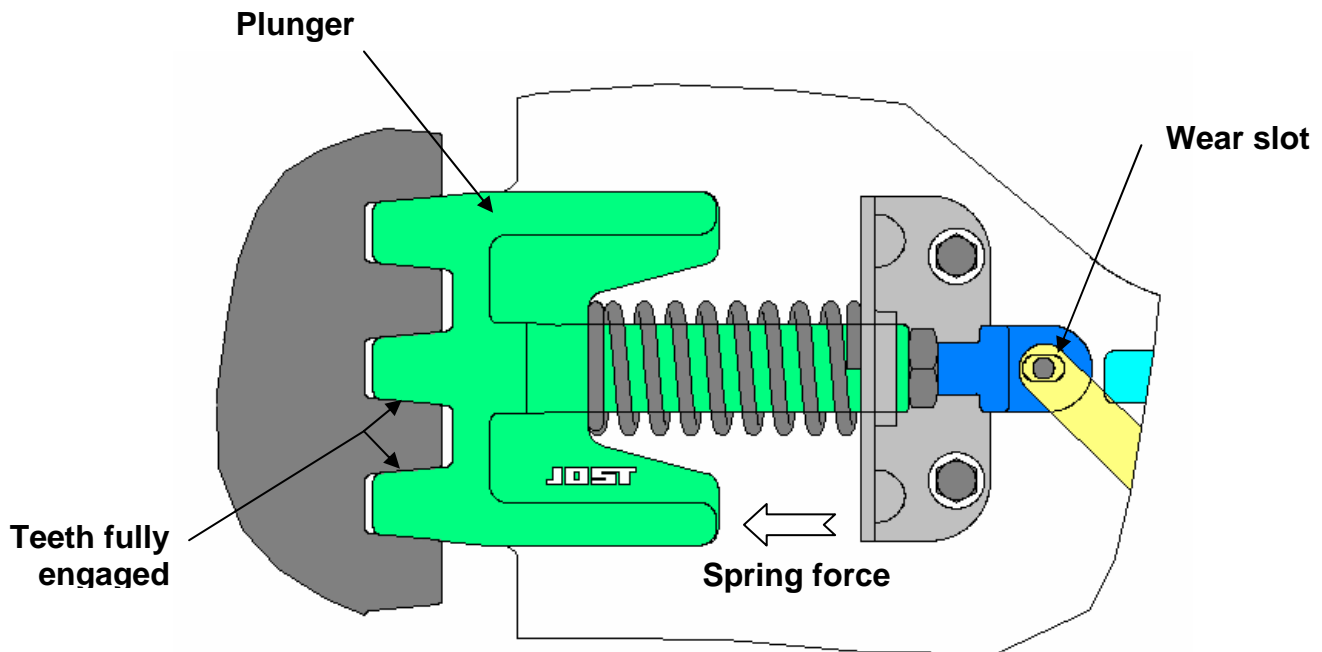
**4 MAINTENANCE**

### FEATURES:

1. Spring loaded plunger adjustment

### BENEFITS:

1. Assures full tooth engagement through the life of the slider



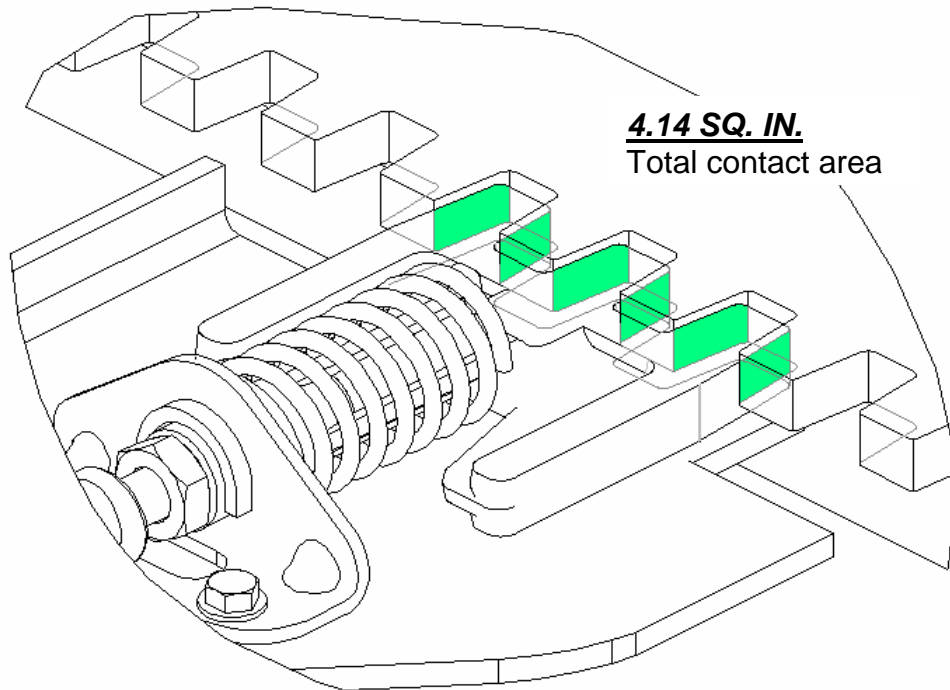
# SAFETY

### FEATURE:

2. Three teeth for more surface contact area

### BENEFIT:

2. Reduced wear rate-reducing play



# SAFETY

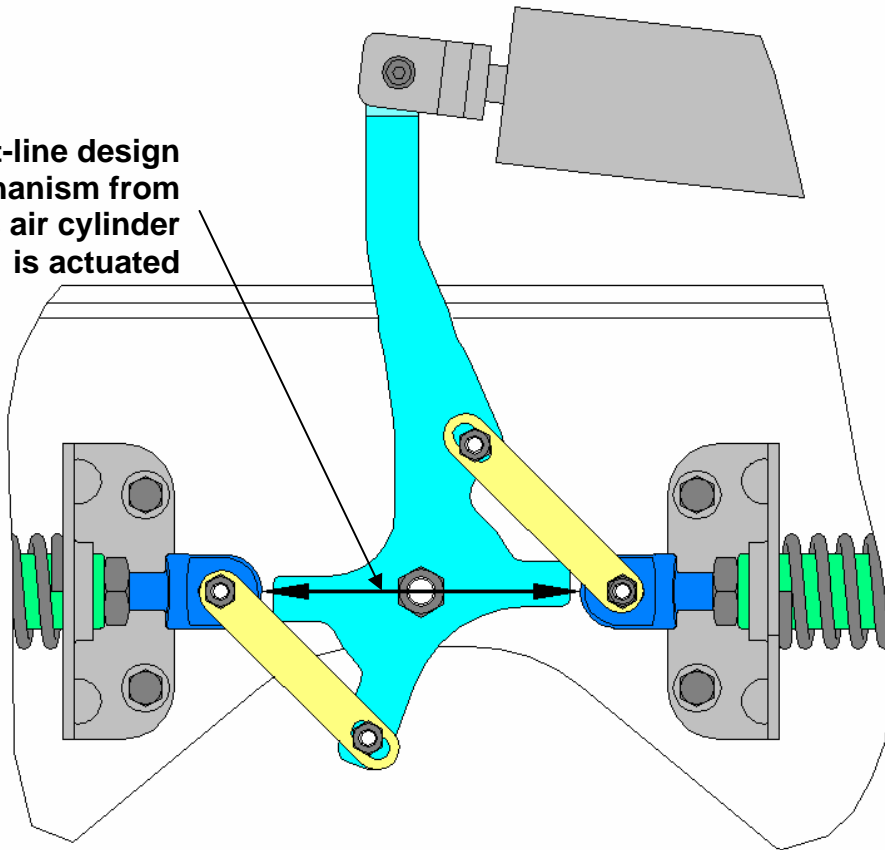
### FEATURE:

3. Positive secondary locking mechanism

### BENEFIT:

3. Keeps lock secure

Positive straight-line design prevents mechanism from opening unless air cylinder is actuated



# SAFETY



**WHY I SHOULD BUY A JOST  
INBOARD SLIDING FIFTH WHEEL**

**FEATURE:**

- 4. Lightweight high strength  
low alloy construction

**BENEFIT:**

- 4. Lighter without sacrificing  
strength

The Jost 7" high 24" travel Inboard Slider weighs  
**505 lbs** with mounting angles included

The Jost Inboard Slider is up to **100 lbs** lighter than  
competitive models



**WEIGHT/COST**



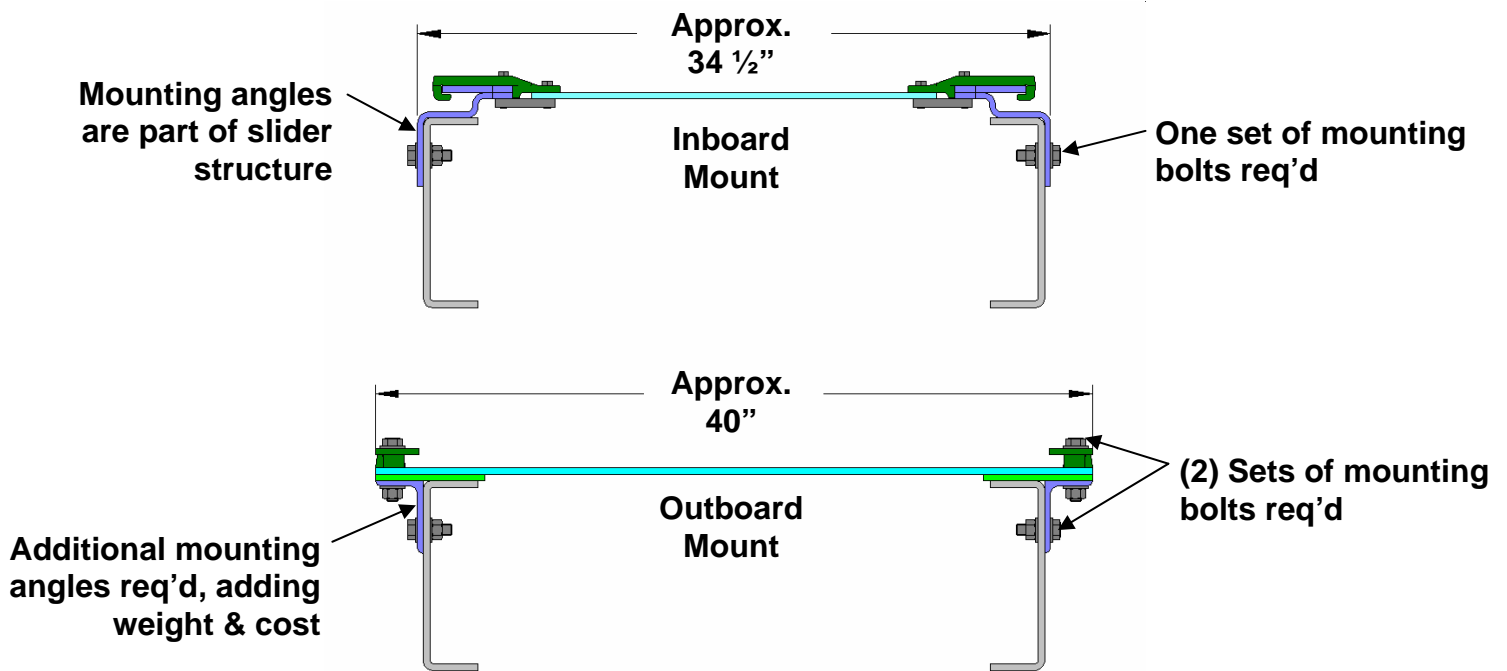
**SAVINGS**

### FEATURE:

5. Integral mounting angles

### BENEFIT:

- 5a. Reduced overall width
- 5b. Reduced weight
- 5c. Reduced required mounting bolts & angles



# WEIGHT/COST



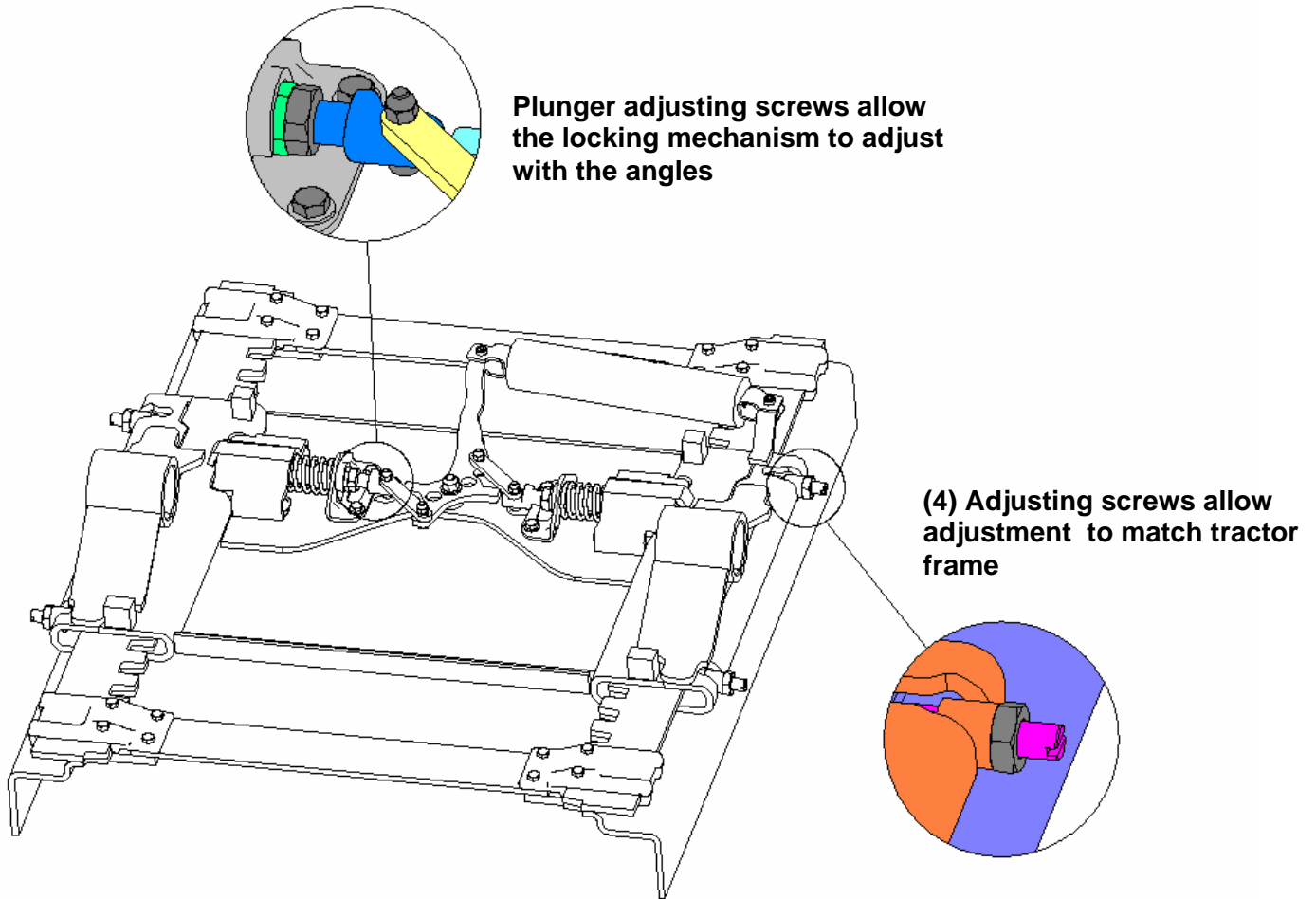
# SAVINGS

### FEATURE:

6. Adjustable frame width

### BENEFIT:

6. More accurate mounting  
method



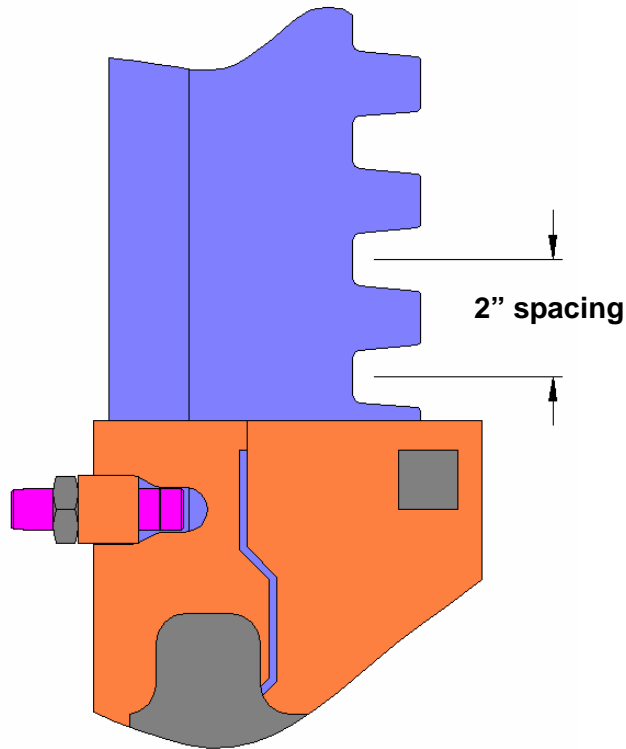
# *MOUNTING CONVENIENCE*

### FEATURE:

7. Slide travel adjustable in 2" increments

### BENEFITS:

7. Precise positioning of fifth wheel for accurate load distribution



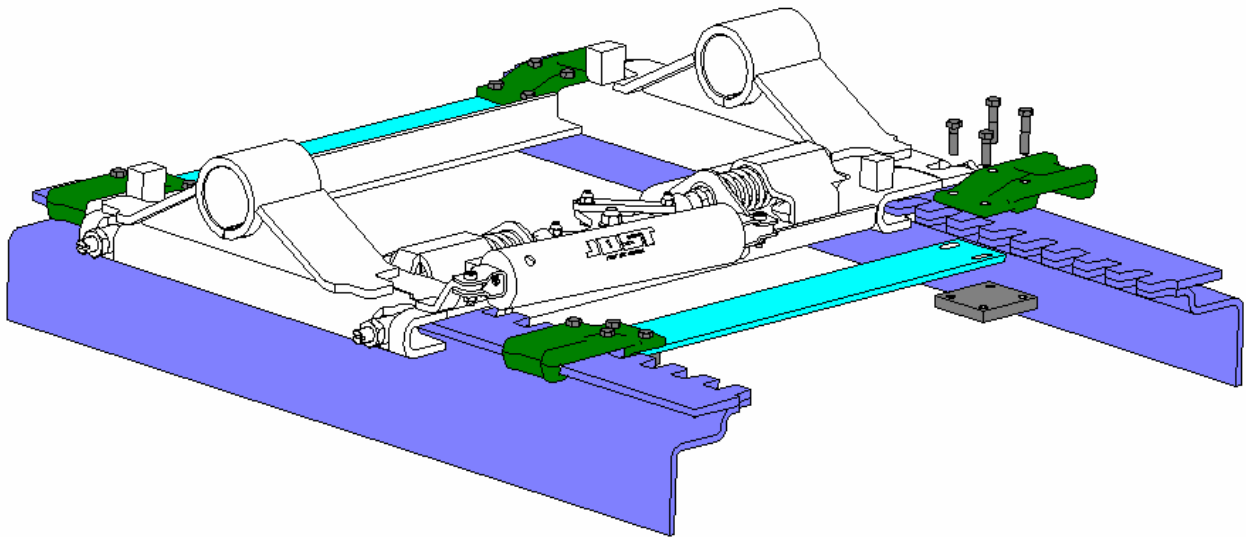
# *OPERATING CONVENIENCE*

### FEATURE:

8. Removeable/Repositional  
slide stops

### BENEFITS:

- 8a. Allows for easy removal of  
slide bracket
- 8b. Allows for easy limitation  
of slide travel



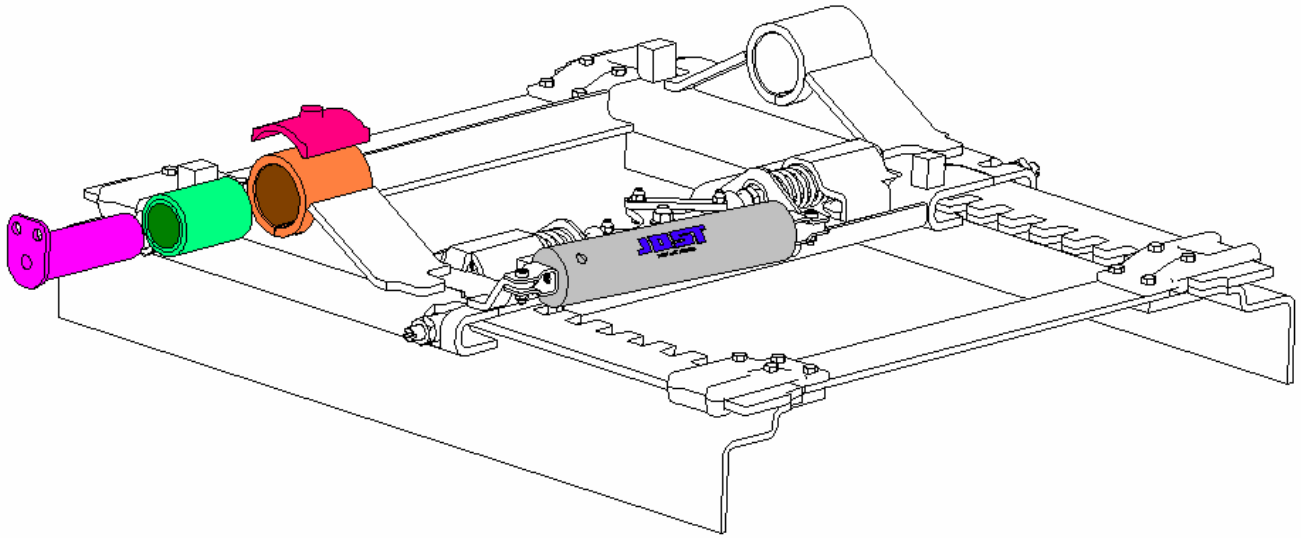
**OPERATING  
CONVENIENCE**

### FEATURE:

- 9. Maintenance free pivot brackets
- 10. Stainless steel air cylinder

### BENEFITS:

- 9a. Reduces shock loading
- 9b. Minimizes torsional stress
- 9c. Eliminates routine lubrication
- 10. Provide a long trouble free life



# MAINTENANCE

*The reasons are simple*



---

---

**DESIGNED FOR STRONGER, SAFER, EASIER OPERATION.**

**FOR:**

- **ORDER ASSISTANCE**
- **SALES INFORMATION**
- **SERVICE**

**CALL 1-800-253-5105**

The right to alter specifications is reserved.



1770 Hayes Street  
Grand Haven, MI 49417  
[www.jostinternational.com](http://www.jostinternational.com)

Ph. (616) 846-7700 (800) 253-5105  
Fax (616) 846-0310

LT JSK37-17 Rev.C