

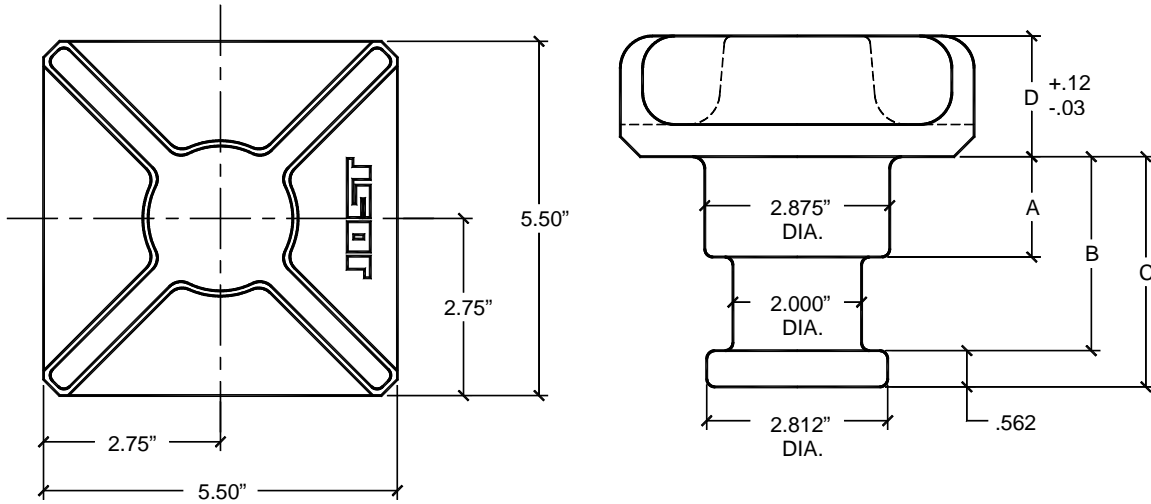


JOIST AAR kingpins are suitable for OEM and after market replacement. They are intended to be installed by welding, using a procedure published by the American Welding Society or other technical organization. When properly installed they will meet or exceed the performance requirements of the American Association of Railroads (AAR) standard M-931 as well as the Society of Automotive Engineers (SAE) and the Truck and Trailer Manufacturers Association (TTMA).

TECHNICAL SPECIFICATIONS

- **MATERIAL – AISI 4320H OR X9115**
- **HEAT TREATMENT**
Through hardened using a quenched and temper process, which produces a surface hardness of 380-420 BHN.
- **STRENGTH**
At the above hardness the material will have an approximate 190,000 p.s.i. ultimate strength and 145,000 p.s.i. yield strength.
- **IMPACT AND WEAR RESISTANCE**
The high nickel alloy and heat treat process provides a good balance between hardness (wear resistance) and low brittleness (good impact resistance).
- **MADE IN U.S.A. – By **JOIST****
- **QUALITY ASSURANCE**
Rigid metallurgical cleanliness and quality standards including:
 - 100% Brinell Hardness testing.
 - 100% magnetic particle inspection.
 - 100% ultrasonic testing (MS105, tightened C = 0).
- **AVAILABLE IN A VARIETY OF MODELS**
(See over).

CRUCIFORM STYLE – 4320H OR X9115 STEEL FORGING



PART NUMBER	BOLSTER PLATE THICKNESS	WEIGHT	DIM. A	DIM. B	DIM. C	DIM. D	SIMILAR TO HOLLAND™ PART NUMBER
KZ-AAR-X2-1.9	1/4"	13.5 lbs.	1.558"	3.012"	3.574"	1.94"	KP-AAR-3-C
KZ-AAR-X2-2.4	1/4"	15 lbs.	1.558"	3.012"	3.574"	2.44"	KP-AAR-5-C
KZ-AAR-X3-2.4	5/16"	15 lbs.	1.620"	3.074"	3.636"	2.44"	KP-AAR-5-E
KZ-AAR-X4-2.4	3/8"	15 lbs.	1.683"	3.137"	3.699"	2.44"	-
KZ-AAR-X2-3.6	1/4"	18 lbs.	1.558"	3.012"	3.574"	3.62"	KP-AAR-4-C
KZ-AAR-X4-3.6	3/8"	18 lbs.	1.683"	3.137"	3.699"	3.62"	KP-AAR-4