



THE NEXT GENERATION of environmentally friendly landing gear



A450 MAGNUM – 10 Year Extended Warranty

Requires no lubrication for five years!!!

After five years recharge the grease tube by adding 14 oz. of E.P. grease.

Shaft caps added to help seal the gearbox.

Seals are used to keep water from rotating shafts.

The gear box is completely filled with an arctic grade, all weather white grease.

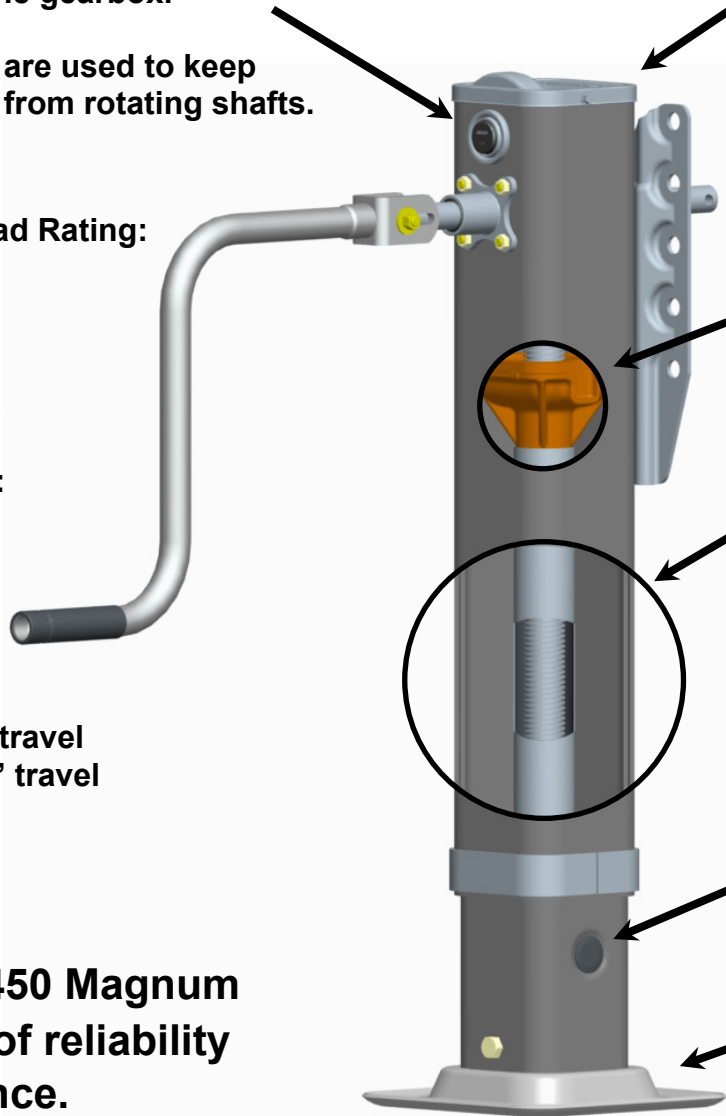
Maximum Static Load Rating:
*170,000 lbs.

Rated Lift Capacity:
62,500 lbs.
w/100ft-lbs input torque

Side Load Capacity:
*33,000 lbs. per set

Gear Ratio:
Low: 32 turns = 1" travel
High: 3.5 turns = 1" travel

Specify the A450 Magnum
for **10 years** of reliability
and performance.



Increased lift nut strength

The elevating screw is completely encased by a rechargeable grease tube.

Each time the legs are extended and retracted, the screw receives a fresh coating of grease.

Hole added to lower leg to access grease fitting in rechargeable grease tube.

Replaceable cushion foot included for easy repair when worn or damaged.

The reasons are simple



See reverse side for order information

*When properly braced on a trailer.

10 YEAR MAGNUM LANDING GEAR

www.jostinternational.com

A450R G 17 05

Landing Gear Product Line Prefix

Mounting Style

Leg Speed

Footwear

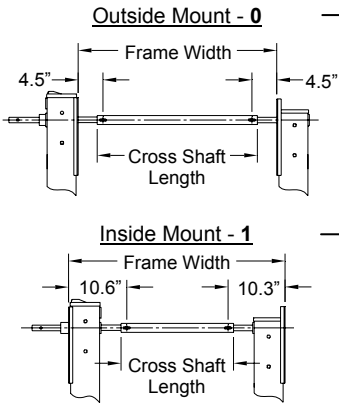
Travel

Options

A45

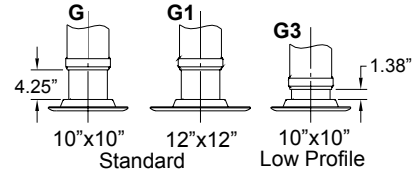
14 - 14" Travel
17 - 17" Travel
19 - 19" Travel

05 - Removable crank



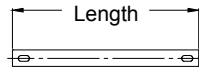
†Leave Blank for Both Legs
R.H. Two Speed Leg - R
L.H. One Speed Leg - L

"G" Series - Cushion Foot



† When ordering both legs; crank, crank hanger, brace lugs and a cross shaft are included but need to be specified (see below).

Cross Shaft



B10363.59.4

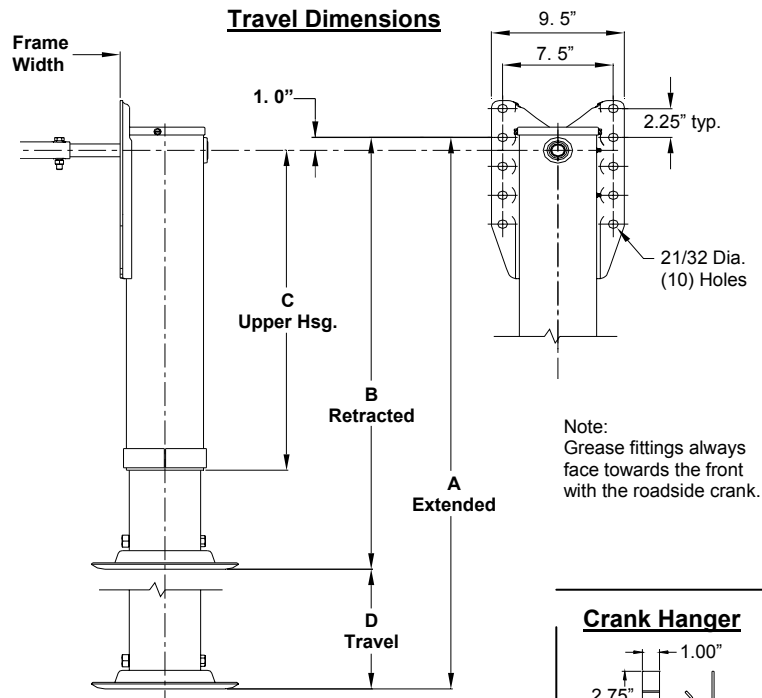
Inside Mount - **B10363**
Outside Mount - **B10066**

Length (in)
Standard Inside Mount = 56.5"
Standard Outside Mount = 68.4"
(If other length is desired see note).

Inside Mount Example: 78.9" - 19.5" = 59.4"
Frame Width = 78.9" Overall Length = 59.4"

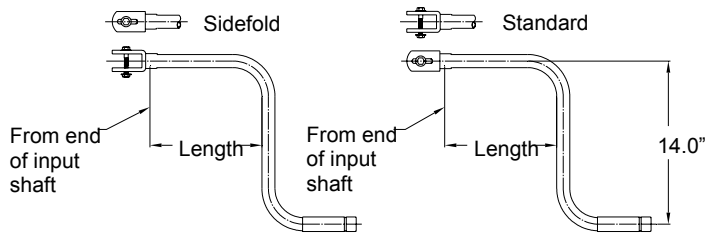
Note:
Cross Shaft Length =
Frame width - 19.5" (for Inside mount)
- 7.6" (for outside mount)

Travel Dimensions



Note:
Grease fittings always face towards the front with the roadside crank.

Crank

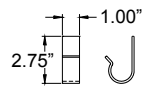


C10592.1

Standard - **C10592**
Sidefold - **C10591**

Length
1 - 5 1/4"
2 - 8 1/4" (Standard)
3 - 10 1/2"
4 - 17 3/4"
5 - 14 3/4"

Crank Hanger



Order Number
B10261

D Travel	Standard Footwear		Low Profile		C Upper Hsg.
	A1-Extended	B1-Retracted	A3-Extended	B3-Retracted	
14"	42 5/8"	28 5/8"	39 3/4"	25 3/4"	21 15/16"
17"	48 5/8"	31 5/8"	45 3/4"	28 3/4"	24 15/16"
19"	52 5/8"	33 5/8"	49 3/4"	30 3/4"	26 15/16"

The right to alter specifications is reserved.



1770 Hayes Street
Grand Haven, MI 49417
www.jostinternational.com

Ph. (616) 846-7700 (800) 253-5105
Fax (616) 846-0310

LT LG450-01 RevB