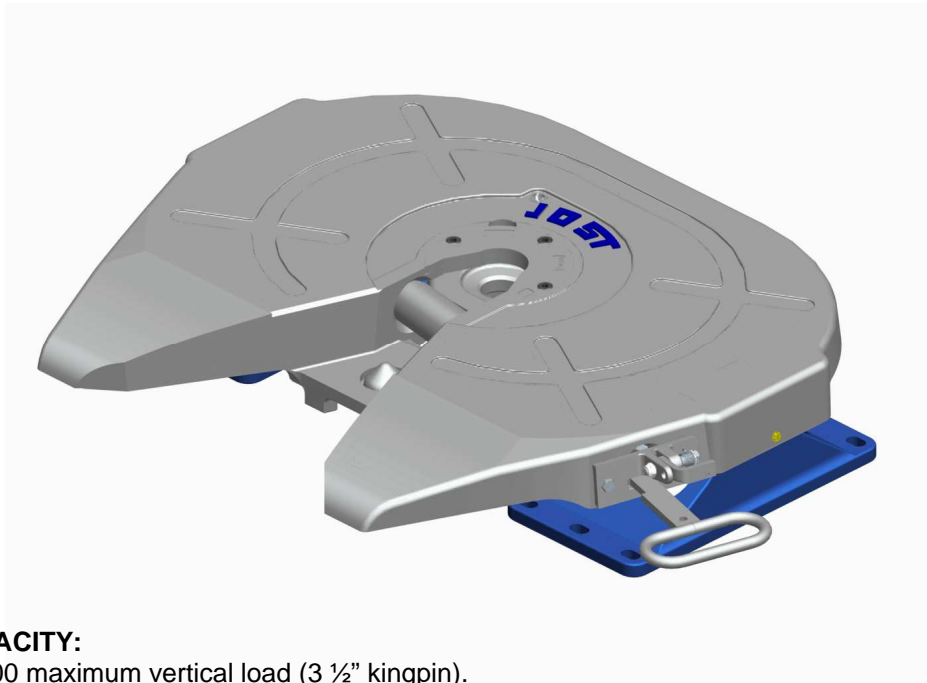


EXTRA CAPACITY FIFTH WHEELS

**CAPACITY:**

80,000 maximum vertical load (3 ½" kingpin).

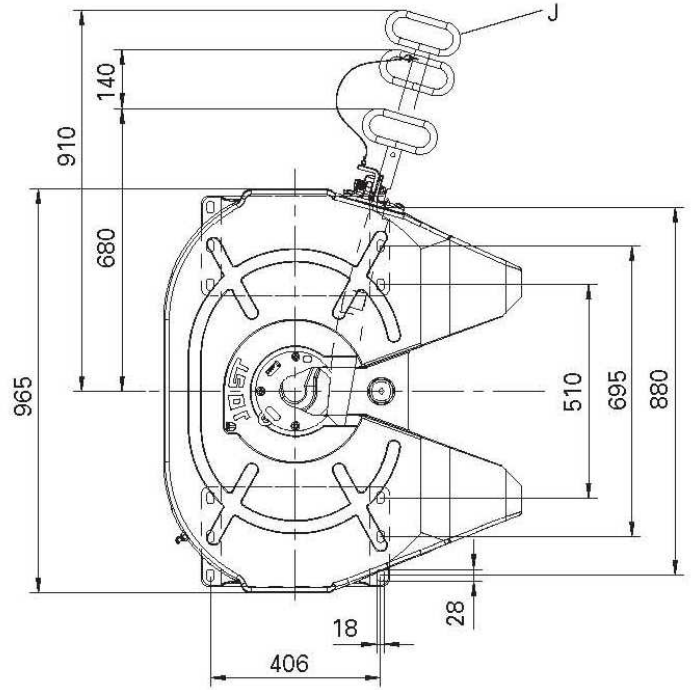
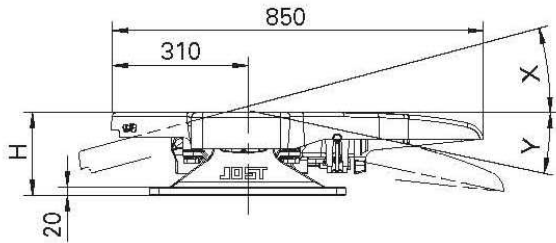
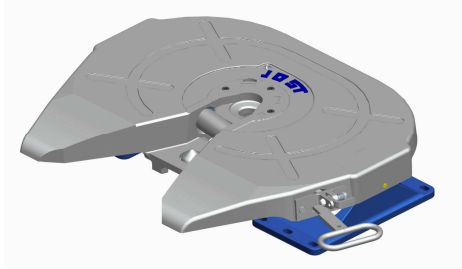
61,000 maximum vertical load (2" kingpin).

200,000 maximum drawbar pull.

FEATURES:

- The well-known **JOST** locking device ensures coupling reliability.
- Heavy Duty construction for operation under arduous conditions.
- Available for use with both 3 ½" and 2" kingpins.
- Maintenance free rubber cushions ensures a high degree of stability and safety.
- Replaceable Wear Ring allows for long life and easy maintenance.
- Lock jaw can be replaced without removing topplate reducing maintenance costs.
- Remote grease fitting allows delivery of lubricant directly to the lock jaw and kingpin.

The right to alter specifications is reserved.



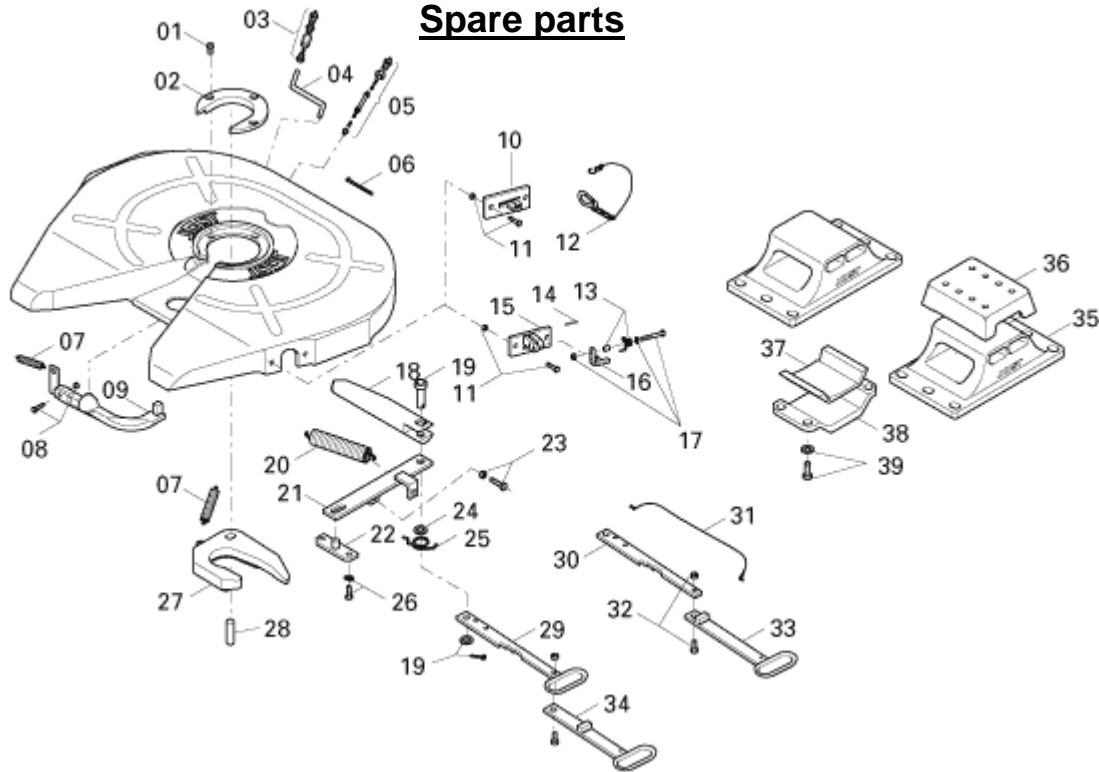
Order Number	Maintenance	Handle Length	Kingpin	"H" (mm)	D Value (kN)	Weight (lbs)	"X"	"Y"
JSK 38C-1	M	K	3 ½"	190	260.0	419	15°	12°
JSK 38C-1 Z	Z	K						
JSK 38C-1 J	M	J						
JSK 38C-1 JZ	Z	J						
JSK 38C07016 AA	Z	K	3 ½"	250	260.0	15°	15°	
JSK 38C07016 DJ	M	K						
JSK 38C07067 AA	Z	J						
JSK 38C07067 DJ	M	J						
JSK 38C-1-2"	M	K	2"	190	170.0	15°	12°	
JSK 38C-1-2"Z	Z	K						
JSK 38C-1-2"J	M	J						
JSK 38C-1-2"JZ	Z	J						
JSK 38C07017 AA	M	K	2"	250	170.0	15°	15°	
JSK 38C07017 DJ	Z	K						
JSK 38C07068 AA	M	J						
JSK 38C07068 DJ	Z	J						

Product descriptions:

Maintenance:
Z = Prepared for central lubrication
M = Manual lubrication

Handle length:
J = Long handle
K = Short handle

The right to alter specifications is reserved.



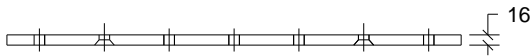
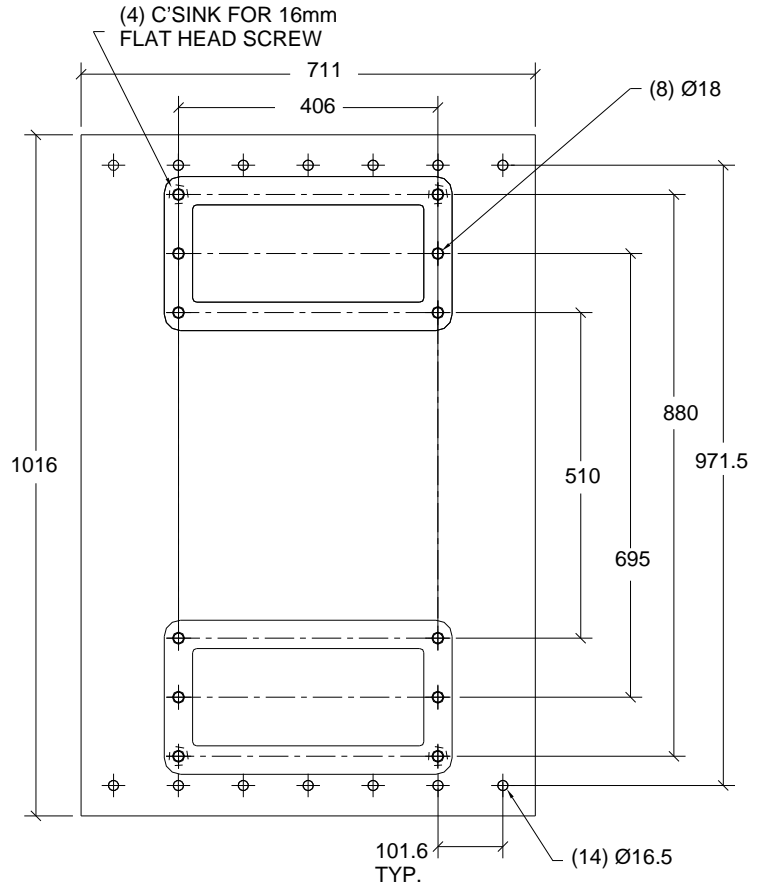
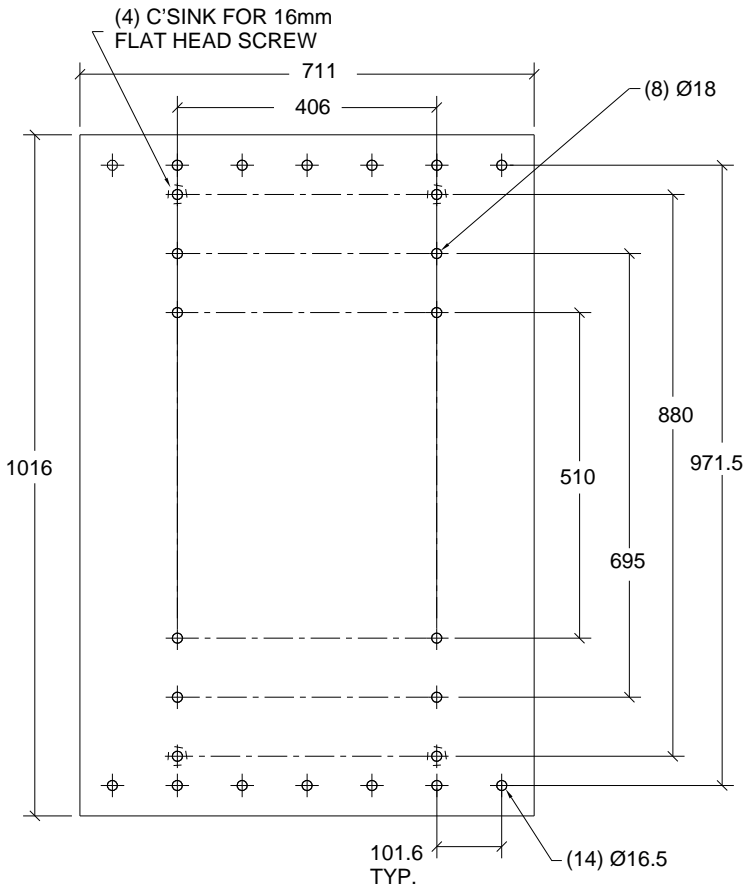
Spare parts

Item	Description	Part No.	Item	Description	Part No.
1	Socket head bolt	SK 2421-08	21	Lever	SK 2405-04
2	Wearing ring 3 1/2" (w/item 1)	SK 2421-56	22	Bearing	SK 2405-15
2	Wearing ring 2" (w/item 1)	SK 2421-57	23	Hex bolt asm	SK 2421-52
3	Grease nipple nut and bolt	SK 1976	24	Washer	SK 2405-19
4	Lubrication tube	SK 2205-12	25	Spring loop	SK 2405-09
5	Lubrication tube (w/item 6) (for type Z)	SK 2408-02	26	Hex bolt asm	SK 2421-53
6	Cable tie	SK 3121-13	27	Lock jaw 3 1/2"	SK 2405-14
7	Tension spring	SK 2106-01	27	Lock jaw 3 1/2" (w/item 6) (for type Z)	SK 2405-14Z
8	Hex bolt asm	SK 2421-51	27	Lock jaw 2"	SK 2405-13
9	Latch	SK 2405-27	27	Lock jaw 2" (w/item 6) (for type Z)	SK 2405-13Z
10	Guide plate (to serial xx60xxxxxx)	SK 2405-22	28	Bolt	SK 2405-18
11	Hex bolt asm	SK 2421-50	29	Handle (standard version)	SK 2405-066
12	Spring hook asm (to serial xx60xxxxxx)	SK 1436	30	Locking bar (for type J) (from serial xx63xxxxxx)	SK 2405-067
13	Spring loop asm (from serial xx63xxxxxx)	SK 2921-30	31	Latch cord (for type J) (from serial xx63xxxxxx)	SK 3521-02
14	Clamping pin	000.003.027	32	Hex bolt asm (for type J) (from serial xx63xxxxxx)	SK 2421-50
15	Latch holder (w/item 14) (from serial xx63xxxxxx)	SK 2405-084	33	Handle (for type J) (from serial xx63xxxxxx)	SK 3105-113
16	Latch asm (from serial xx63xxxxxx)	SK 3121-52	35	Pedestal (for 190mm height)	SK 2404-01
17	Hex bolt asm (from serial xx63xxxxxx)	SK 3521-03	35	Pedestal (for 250mm height)	SK 2404-04
18	Locking bar	SK 2405-01	36	Rubber cushion, upper	SK 2006
19	Locking bar bolt asm	SK 2121-14	37	Rubber cushion, lower	SK 2007
20	Double tension spring	SK 2405-23	38	Bridge	SK 2005
			39	Hex bolt asm	SK 2421-55

Repair Kits			Conversion Kits		
Items included	Description	Part No.	Items Included	Description	Part No.
1, 2, 5, 7, 12, 20, 27 & 28	Kit for 3 1/2" lock	SK 2421-76	01, 02, 07, 27	Convert 3 1/2" to 2" lock	SK 2421-98
	Kit for 3 1/2" lock (for type Z)	SK 2421-76 Z		Convert 3 1/2" to 2" lock (for type Z)	SK 2421-98 Z
	Kit for 2" lock	SK 2421-77		Convert 2" to 3 1/2" lock	SK 2421-99
	Kit for 2" lock (for type Z)	SK 2421-77 Z		Convert 2" to 3 1/2" lock (for type Z)	SK 2421-99 Z
36, 37 & 39	Kit for rubber bearing	SK 2421-78	31, 32, 34	Handle extension retrofit kit	SK 3121-063

The right to alter specifications is reserved.

Mounting Plates



8.12" Mounting Height Flat Mounting Plate	
Order Number	Weight
SK-75011-08	198 lbs.

9.09" Mounting Height Flat Mounting Plate w/Riser	
Order Number	Weight
SK-75011-13	243 lbs.

Mounting Hardware F.W. to Mounting Plate	
Order Number	Weight
SK-75017-01	5.5 lbs.

Mounting Hardware Mounting Plate to Mounting Angles	
Order Number	Weight
SK-75001-14	6.2 lbs.

Mounting Hardware F.W. to Mounting Plate w/Riser	
Order Number	Weight
SK-75017-02	6.5 lbs.

The right to alter specifications is reserved.



DESIGNED FOR STRONGER, SAFER, EASIER OPERATION.

FOR:

- **ORDER ASSISTANCE**
- **SALES INFORMATION**
- **SERVICE**

CALL 1-800-253-5105

The right to alter specifications is reserved.



1770 Hayes Street
Grand Haven, MI 49417
www.jostinternational.com

Ph. (616) 846-7700 (800) 253-5105
Fax (616) 846-0310

LT SK38C-01 Rev.E